

Perimeter seals

# Door sweeps



Automatic door bottoms

Perimeter seals

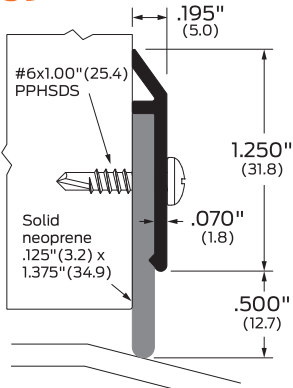
Weatherstripping

Intumescent

Sound control

Specialty applications

### 39

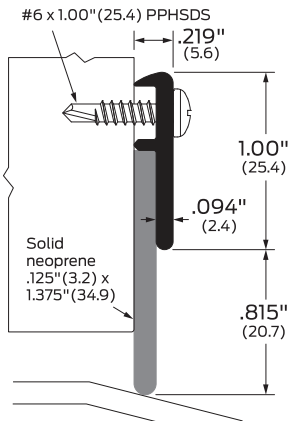


Finishes: A, BK, D, G  
Options: SEC  
ANSI/BHMA: 39A, 39BK, 39D, 39G

R3B434



### 339



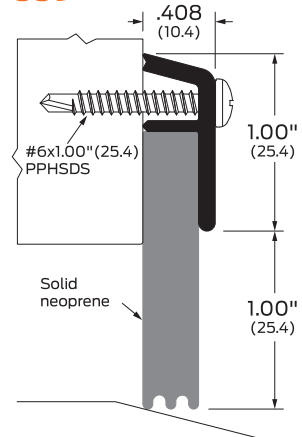
Finishes: AA, BK, D, G, B, B-ORB  
Options: SEC  
ANSI/BHMA: 339AA, 339BK, 339D, 339G, 339B

R3B434

R1B434



### 539

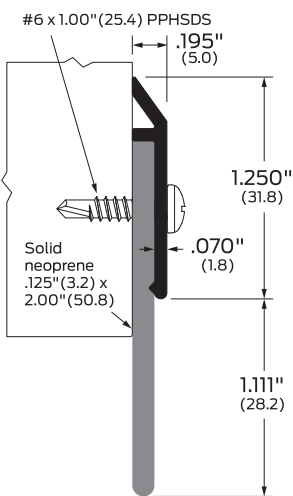


Finishes: AA, BK, D, G  
Options: SEC  
ANSI/BHMA: 539AA, 539BK, 539D, 539G

R3B434



### 39W

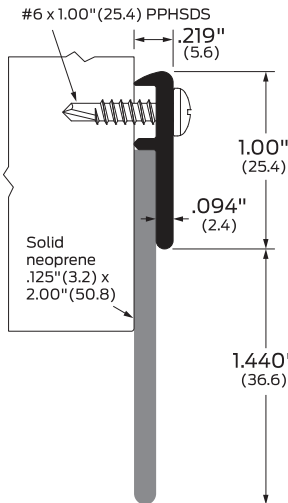


Finishes: A, BK, D, G  
Options: SEC  
ANSI/BHMA: 39WA, 39WBK, 39WD, 39WG

R3B434



### 339W



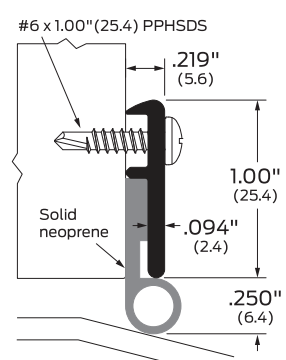
Finishes: AA, BK, D, G, B, B-ORB  
Options: SEC  
ANSI/BHMA: 339WAA, 339WBK, 339WD, 339WG, 339WB

R3B434

R1B434



### 328



Finishes: AA, BK, D, G, B, B-ORB  
Options: ZAG, S, SEC  
ANSI/BHMA: 328AA, 328BK, 328D, 328G, 328B

R3B434

R1B434



See Perimeter seals Accessories & options page for details.

**Finishes:**

- A** Aluminum mill finish
- AA** Aluminum clear anodized
- BK** Aluminum black anodized
- D** Aluminum dark bronze anodized
- G** Aluminum gold anodized
- B** Bronze, architectural mill finish
- B-ORB** Oil-rubbed aged bronze

**Options:**

- FLO** Air flow/ sound block
- PSA** Pressure-sensitive adhesive
- ZAG** Ligature resistant gasketing
- S** Order as a set
- SEC** Security screws

**Note:**